

THE ROAD IS ROUGH THE RIDE DOESN'T HAVE TO BE

Bostrom
SEATING
The best ride in the business

LOW PROFILE



TALLADEGA 910

The perfect seat for cab-overs and conventionals where the seat is mounted on a riser, tool box or platform.

FEATURES

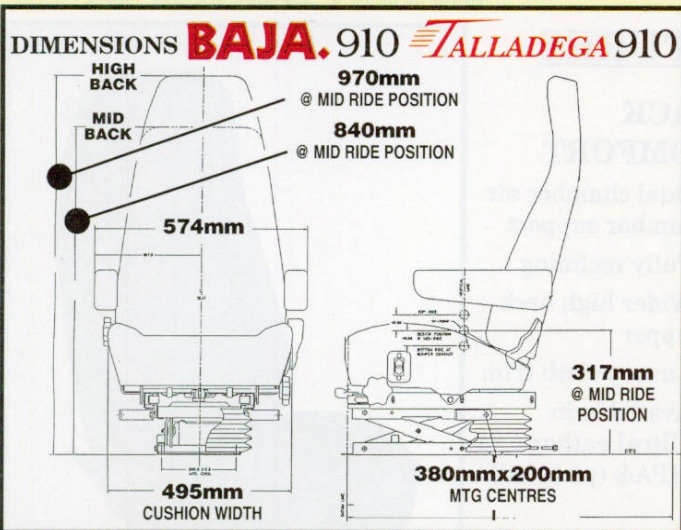
- **BACK COMFORT**
 - Dual chamber air lumbar support
 - Fully reclining
 - High back or mid back option
- **LEG COMFORT**
 - 4 position, front cushion tilt
 - 240mm (9½") of slide travel

➤ RIDE COMFORT

- Steel slide fore and aft isolator takes the 'kick' out of your truck's suspension
- 102mm (4") ride zone
- Easy reach height and air lumbar control valves

➤ OPTIONS

- Arm rests, suspension covers
- LSO uppers, seat belts, truck specific seat risers



BAJA. 910

**MEET
ONE
TOUGH
HOMBRE**

Comprehensive dimensions available on request



BAJA. BUDGET AIR SEAT FEATURES

- 190mm (7½") of slide travel
- Fully reclining
- Low profile suspension
- Tough black or brown vinyl mid back upper
- Seat belts & truck specific seat risers available