

Bostrom

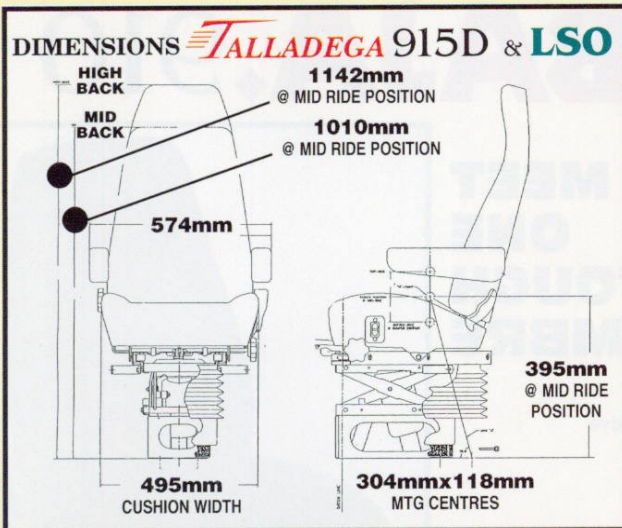
S E A T I N G

The best ride in the business

HIGH PROFILE



Comprehensive dimensions available on request



TALLADEGA 915D

This seat features dual hydraulic shock absorbers for EXTRA STABILITY and BETTER RIDE and is ideal for cab-overs and conventionals where the seat mounts directly to the cab floor.

FEATURES

BACK COMFORT

- Dual chamber air lumbar support
- Fully reclining
- High back or mid back option

LEG COMFORT

- 4 position, front cushion tilt
- 240mm (9½") of slide travel

OPTIONS

- Arm rests, suspension covers
- LSO uppers, seat belts

RIDE COMFORT

- Steel slide fore and aft isolator takes the 'kick' out of your truck's suspension
- Huge 152mm (6") ride zone
- Easy reach height and air lumbar control valves
- Dual shock absorbers for better ride and extra stability

LSO

LUXURY SERVICE OPTION

FEATURES

BACK COMFORT

- Dual chamber air lumbar support
- Fully reclining
- Wider high back upper
- Luxury cloth trim
- Available in UltraLeather HPA® (pictured)



LEG COMFORT

- 4 position, front cushion tilt
- 240mm (9½") of slide travel

OPTIONS

- Arm rests, suspension covers
- Ultraleather HPA® trim, seat belts

RIDE COMFORT

- Steel slide fore and aft isolator takes the 'kick' out of your truck's suspension
- Huge 152mm (6") ride zone
- Easy reach height and air lumbar control valves
- Dual shock absorbers for better ride and extra stability

- Ultraleather HPA® gives you all the feel and look of fine leather without the problems. Resistant to stains and wear, you'll enjoy unsurpassed temperature comfort.